

Bleed Valves

RB Series



Bleed Valves
Purge Valves

Bleed Valves

RB Series

Introduction

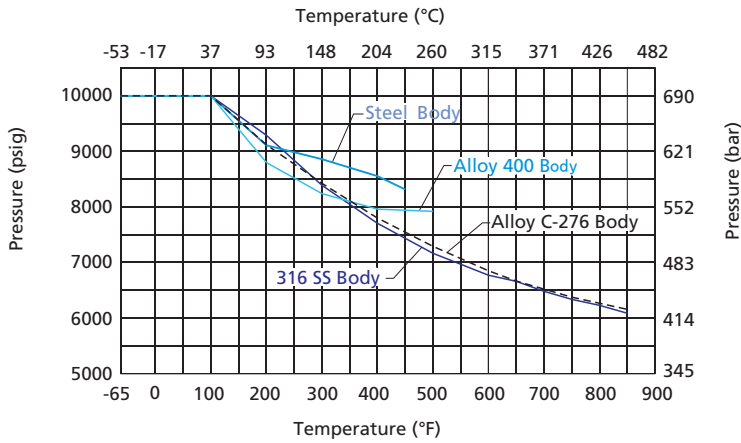
Bleed valves can be used on instrument devices such as multi-valve manifolds or gauge valves to vent signal line pressure to atmosphere before removal of an instrument or to assist in calibration.

Features

- ⦿ Compact design for easy installation
- ⦿ Hardened stem and tip to extend cycle life
- ⦿ Working pressure up to: 10000 psig (690 bar)
- ⦿ Working temperature: -65°F to 850°F (-54°C to 454°C)
- ⦿ Variety of end connections
- ⦿ Leak-tight performance testing with Nitrogen or compressed air for every valve at the rated pressure (not higher than 6000 psig) to meet the requirement of no visible leak



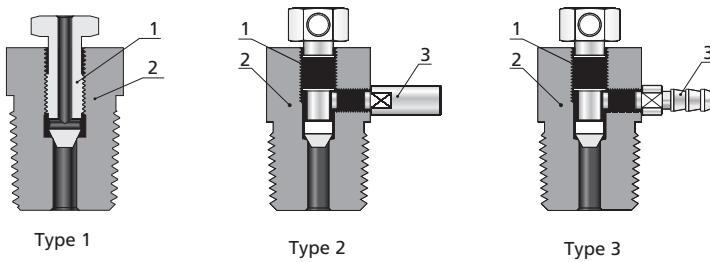
Pressure vs. Temperature



Note: Ratings based on all metal seals. Ratings limited to:

- -20°F (-28°C) min with steel.
- 450°F (232°C) max with SAE end connections using fluorocarbon FKM O-rings.
- 4500 psig (310 bar) max with SAE end connections.

Standard Materials of Construction



Component		Valve Body Material Grade/ASTM Specification			
		316 SS	Carbon Steel	Alloy 400	Alloy C-276
1	<i>Stem</i>	<i>Hardened 316 SS/A479</i>		<i>Alloy 400/B164</i>	<i>C-276/B574</i>
2	<i>Body</i>	316 SS/A479	1018/A108		
3	<i>Vent tube</i>	316 SS/A479			

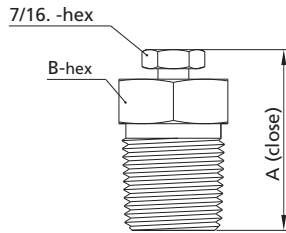
Note: Wetted components are listed in italics.

1. Hydrocarbon carrier.
2. Contact FITOK Group or our authorized distributors for other materials.

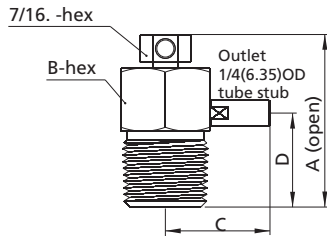
Dimensions

Dimensions, in inches (millimeters), are for reference only and are subject to change.

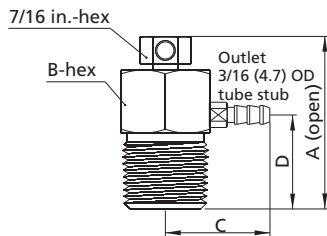
Type 1



Type 2



Type 3



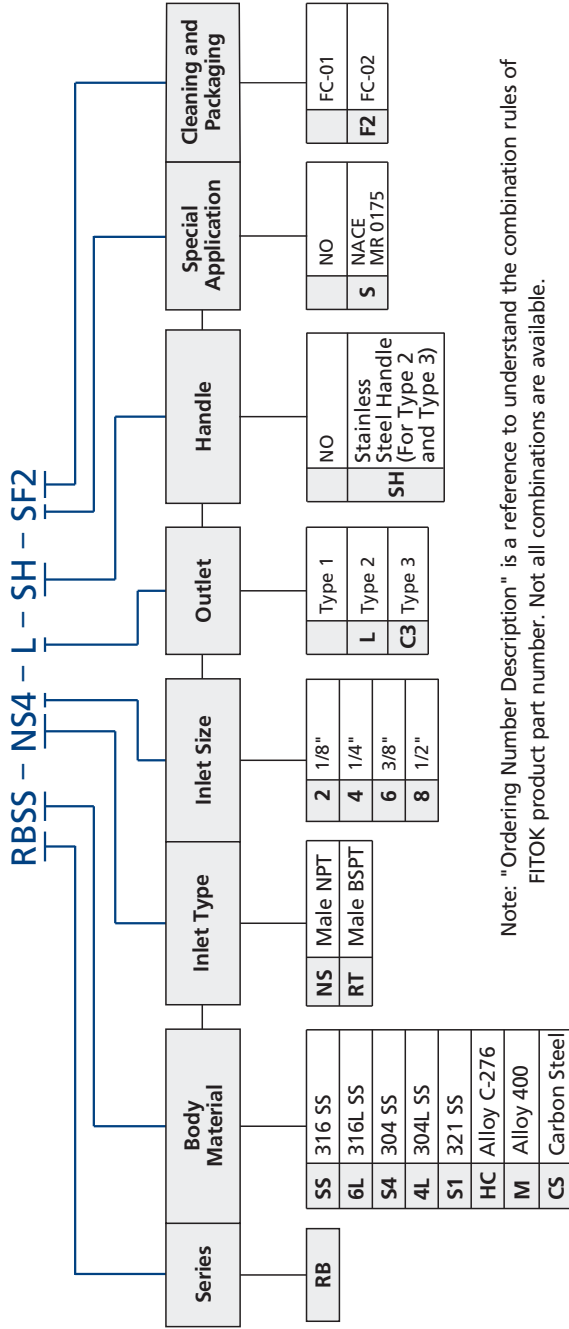
Type	Basic Ordering Number	Inlet Type and Size	Dimensions, in. (mm)			
			A	B	C	D
Type 1	RB□□-NS4	1/4 Male NPT	1.31 (33.4)	5/8 (15.9)	—	—
	RB□□-NS6	3/8 Male NPT	1.46 (37.1)	7/8 (22.2)		
	RB□□-NS8	1/2 Male NPT				
	RB□□-RT4	1/4 Male BSPT	1.31 (33.4)	5/8 (15.9)		
	RB□□-RT6	3/8 Male BSPT	1.46 (37.1)	7/8 (22.2)		
	RB□□-RT8	1/2 Male BSPT				
Type 2	RB□□-NS4-L	1/4 Male NPT	1.65 (41.8)	5/8 (15.9)	0.94 (24)	0.78 (19.7)
	RB□□-NS6-L	3/8 Male NPT	1.78 (45.1)	7/8 (22.2)	1.03 (26.2)	0.91 (23)
	RB□□-NS8-L	1/2 Male NPT			1.04 (26.3)	
	RB□□-RT4-L	1/4 Male BSPT	1.65 (41.8)	5/8 (15.9)	0.94 (24)	0.78 (19.7)
	RB□□-RT6-L	3/8 Male BSPT	1.78 (45.1)	7/8 (22.2)	1.03 (26.2)	0.91 (23)
	RB□□-RT8-L	1/2 Male BSPT			1.04 (26.3)	
Type 3	RB□□-NS4-C3	1/4 Male NPT	1.65 (41.8)	5/8 (15.9)	0.94 (24)	0.78 (19.7)
	RB□□-NS6-C3	3/8 Male NPT	1.78 (45.1)	7/8 (22.2)	1.03 (26.2)	0.91 (23)
	RB□□-NS8-C3	1/2 Male NPT			1.04 (26.3)	
	RB□□-RT4-C3	1/4 Male BSPT	1.65 (41.8)	5/8 (15.9)	0.94 (24)	0.78 (19.7)
	RB□□-RT6-C3	3/8 Male BSPT	1.78 (45.1)	7/8 (22.2)	1.03 (26.2)	0.91 (23)
	RB□□-RT8-C3	1/2 Male BSPT			1.04 (26.3)	

Sizes and types listed are standard. Other sizes and types are available upon request.

Caution

When installing a bleed valve, position the vent tube to direct system fluid away from operating personnel. Always open bleed valves slowly. These valves contain no packing, so some fluid weepage will occur when the valves are opened. Operating personnel must protect themselves from exposure to system fluids.

Ordering Number Description



Note: "Ordering Number Description" is a reference to understand the combination rules of FITOK product part number. Not all combinations are available.

Cleaning and Packaging :
 FC-01: Standard cleaning and packaging for general industrial procedures.
 FC-02: Special cleaning and packaging for wetted system components to ensure compliance with product cleanliness requirement of ASTM G93 Level C.